



JET/ JET TWIN

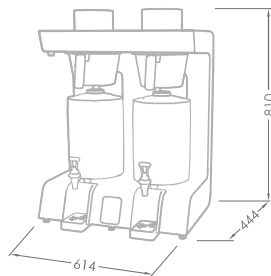
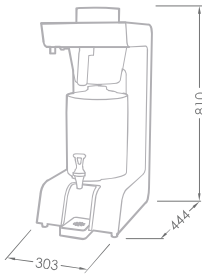
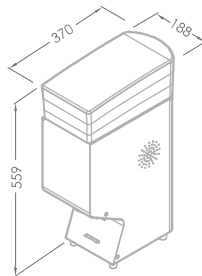
FILTER COFFEE
BREWER

| TWIN JET | JET | JET GRINDER (JCG) |
|---|---|---|
|  |  |  |

FEATURES/

- SCAE Gold Cup coffee quality.
- Operator-friendly touch-screen interface.
- Can automatically control grinder slave.
- Portion control of water and coffee amounts.
- Precision water volume and temperature.
- Minimised footprint.
- Built-in cup-well.
- Best-in-class energy efficiency.
- Sleek front-of-house design.
- Versatile deployment (grinder, manual or pre-ground packs).
- Reduced operator error.
- Hot water dispense.

DIMENSIONS/

| | | |
|---|---|---|
|  |  |  |
| TWIN JET | JET | JET GRINDER (JCG) |
| FOR MEDIUM TO HIGH VOLUME FILTER COFFEE REQUIREMENTS, E.G. HOTELS, BUSY CAFÉS, RESTAURANTS, CANTEENS. | | |

SPECS/OPTIONS

| DESCRIPTION | ORDER CODE | FULL BREW (L) | HOT WATER DRAW OFF (L) ** | CUPS PER HOUR | POWER @ 230V | WEIGHT (KG) |
|--------------------------|------------|---------------|---------------------------|---------------|--------------|-------------|
| JET 6 TWIN* | 1000855 | 6 x 2 | 16 | 189 X 2 | 5.6kW | 48 |
| JET 6 5.6kW* | 1000850 | 6 | 6 | 189 | 5.6kW | 24 |
| JET 6 2.8kW* | 1000851 | 6 | 6 | 189 | 2.8kW | 24 |
| JET GRINDER (JCG) | 1000891 | N/A | N/A | N/A | 0.8kW | 21 |
| URN 6.0L | 1700169 | N/A | N/A | N/A | N/A | 7 |

*Urn is sold separately

**Disabled during brew

| DESCRIPTION | DIMENSIONS (DXWXHmm) | PACKAGING (DXWXHmm) | QTY PER PALLET | PLUMBING REQUIREMENTS |
|--------------------------|----------------------|---------------------|----------------|-----------------------|
| JET 6 TWIN* | 444x614x810 | 500x710x920 | 2 | 3/8" BSP |
| JET 6 5.6kW* | 444x303x810 | 620x440x850 | 6 | 3/4" BSP |
| JET 6 2.8kW* | 444x303x810 | 620x440x850 | 6 | 3/4" BSP |
| JET GRINDER (JCG) | 370x188x559 | 580x300x800 | 12 | N/A |
| URN 6.0L | 420x245x570 | 640x310x440 | 16 | N/A |

FOR CUSTOMER CARE/SPARES & SERVICE VISIT

WWW.MARCOBEVERAGESYSTEMS.COM